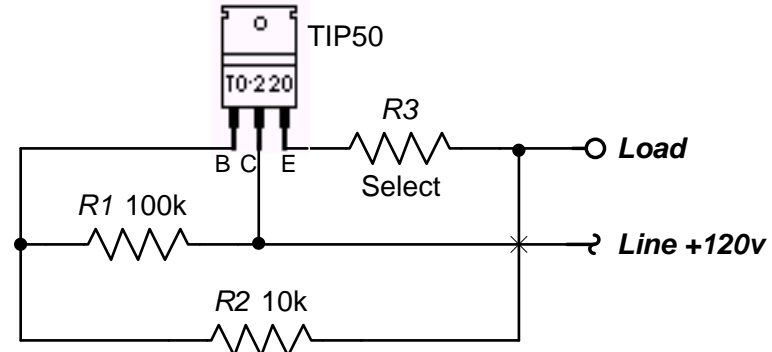
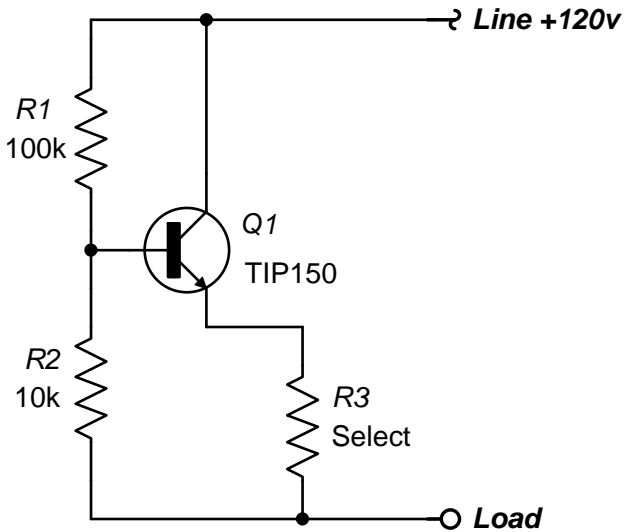


DOWNHOLE CONSTANT CURRENT CIRCUIT

SIE Cement Bond Tool Receiver Series Resistor Replacement

Paul Knight's Constant Current Gizmo



NOTES:
 Select R3 emitter resistor in the range of 200 to 560 ohms.
 Play with the value of R2 to make major current changes.
 All resistors 1/2 watt.

www.logwell.com

Copyright 2007 by AnaLog Services, Inc. All rights reserved.
 Reproduction is unlawful without express written permission.

AnaLog Services, Inc.		
1169 Haynesville Road - Reynolds Station, KY 42368 (270) 276-5671 Fax: (270) 276-5588		
Constant Current Circuit		DHCCb.sch
Sheet Size: A	Creation Date:08/05/2007	Drawn By: Syd H. Levine
Revision: 1.0	Modify Date: 11/12/2009	Sheet 1 of 1