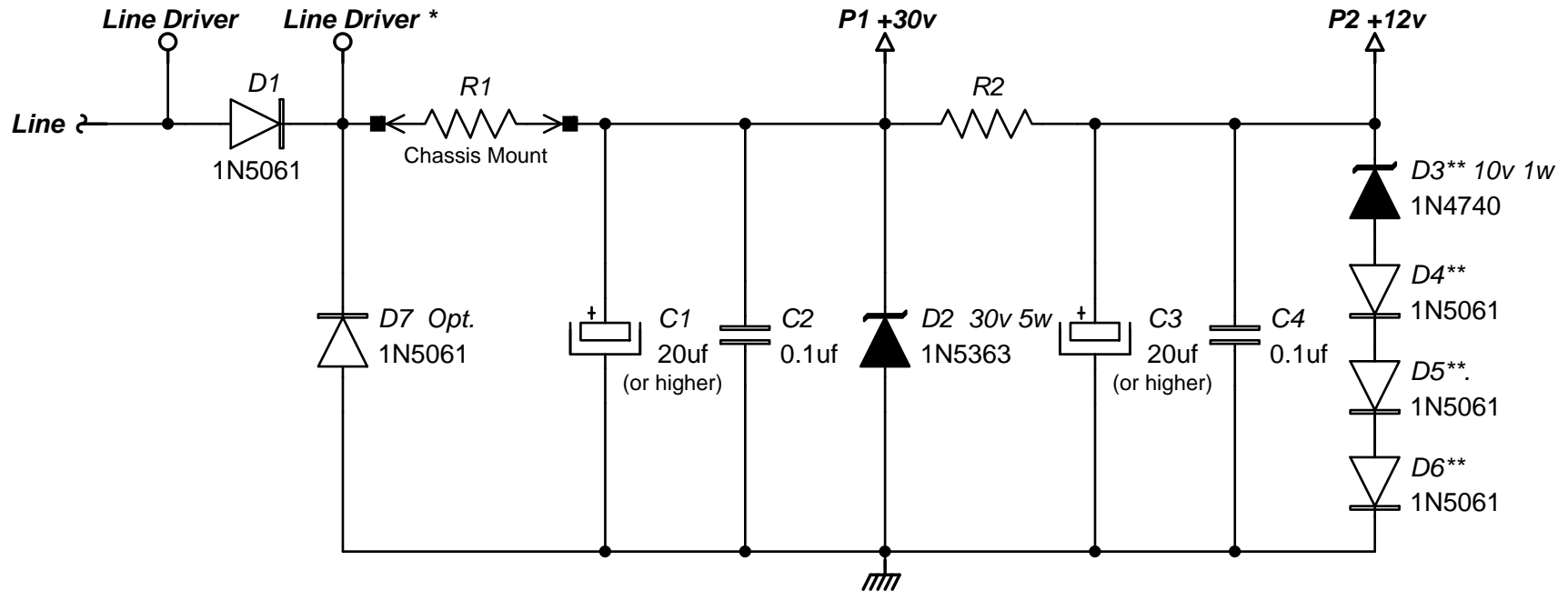


KISS DOWNHOLE ZENER LOW VOLTAGE POWER SUPPLY



P1 AVAILABLE CURRENT

Line Current	R1 - Min. Watts	D2	R2=500			R2=1k			R2=2k			Omit R2	R2 - Min. Watts	P2 CURRENT
			10 ma	20 ma	30 ma	40 ma	50 ma	60 ma	80 ma	10 ma	20 ma			
10 ma @ 120 v	9.0 kohm - 1 w	1/2 w	N/A	N/A	N/A	10 ma	20 ma	30 ma	40 ma	50 ma	60 ma	80 ma	500 ohms - 1 w	36 ma
20 ma @ 120 v	4.5 kohm - 2 w	1 w	N/A	N/A	10 ma	20 ma	30 ma	40 ma	50 ma	60 ma	80 ma		1 kohm - 1/2 w	18 ma
30 ma @ 120 v	3.0 kohm - 3 w	1 w	N/A	10 ma	20 ma	30 ma	40 ma	50 ma	60 ma	80 ma			2 kohm - 1/4 w	9 ma
40 ma @ 120 v	2.25 kohm - 4 w	5 w	N/A	20 ma	30 ma	40 ma	50 ma	60 ma	80 ma				R2 Omitted	0 ma
50 ma @ 120 v	1.8 kohm - 5 w	5 w	12 ma	30 ma	40 ma	50 ma	60 ma	80 ma						
60 ma @ 120 v	1.5 kohm - 6 w	5 w	22 ma	40 ma	50 ma	60 ma	80 ma							
80 ma @ 120 v	1.125 kohm - 8 w	5 w	42 ma	60 ma	70 ma	80 ma								

Copyright 2009 by AnaLog Services, Inc. All rights reserved.
 Reproduction is unlawful without express written permission.

NOTES:

- * Input negative pulses only at this port.
- ** If temco correction not needed, omit D4-D6 and use IN4742 12 volt zener.
 As drawn voltage regulation better than .005% per degree C to 200 C.

AnaLog Services, Inc.

1169 Haynesville Road - Reynolds Station, KY 42368 (270) 276-5671 Fax: (270) 276-5588

DH LV Power Supply 1

DHLVPS1.sch

Sheet Size: A

Creation Date: 11/23/2009

Drawn By: Syd H. Levine

Revision: 1.0

Modify Date: 11/25/2009

Sheet 1 of 1