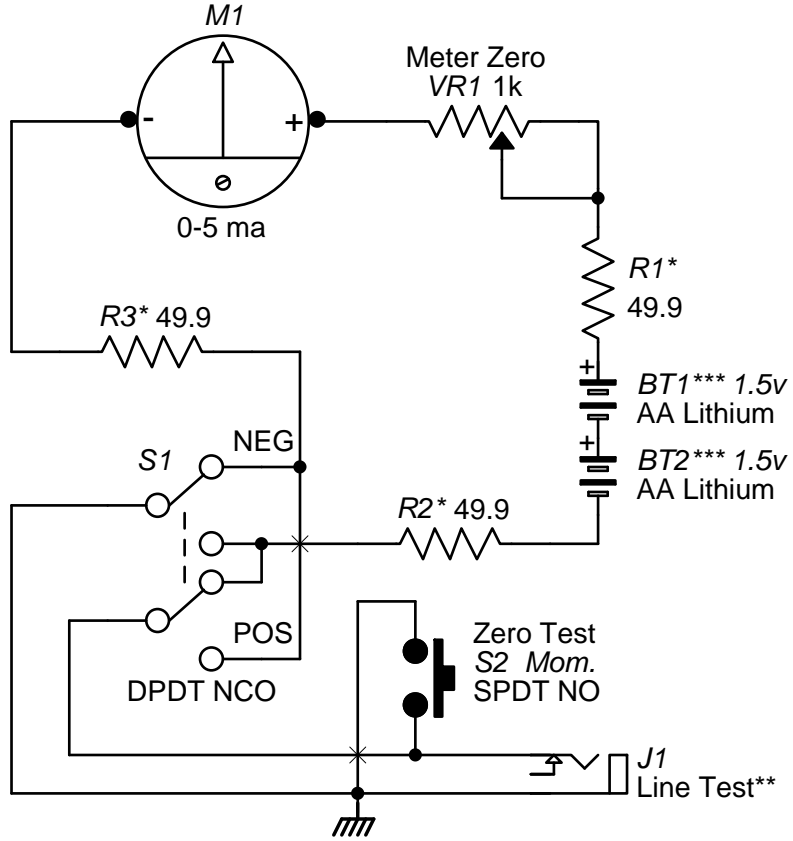


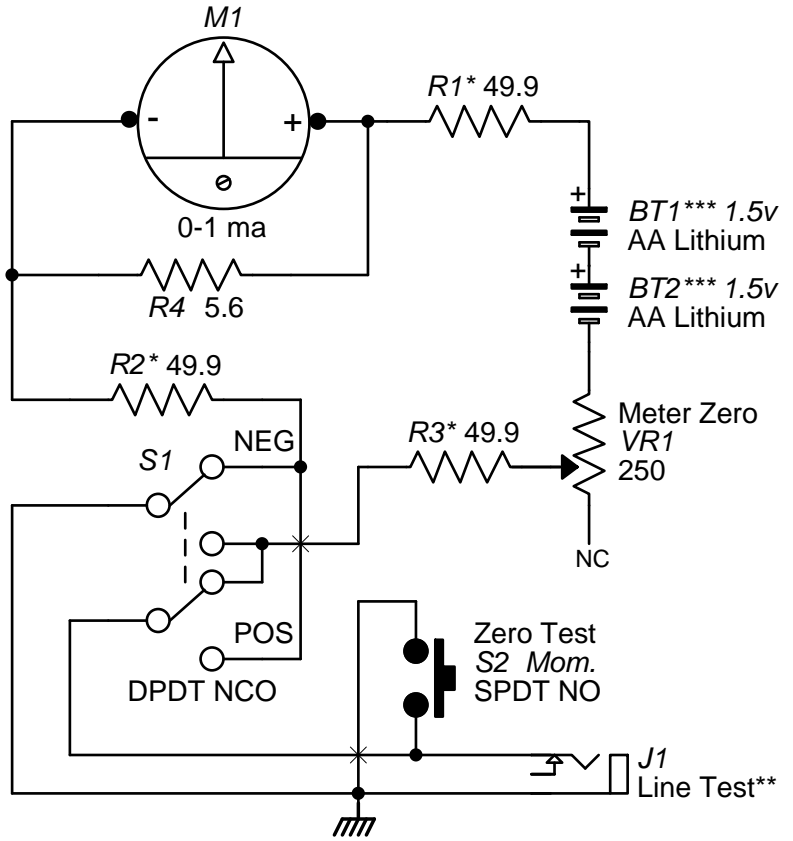
A
B
C
D
E
F
G
H

CONTINUITY METER

GO/GOI/MLS Style



SIE Style



Copyright 2009 by AnaLog Services, Inc. All rights reserved. Reproduction is unlawful without express written permission.

NOTES:
 * If R3 is omitted (not recommended); make R1 and R2 each 75 ohms.
 ** Test current is limited to no more than 20 milliamperes (ma).
 *** Alkaline batteries are shorter lived and are less voltage stable with age.
Use of or reliance on these schematics is entirely at your own risk.

www.logwell.com

AnaLog Services, Inc.

1169 Haynesville Road - Reynolds, Station, KY 42368 (270) 276-5671 Fax: (270) 276-5588

Continuity Meter		EXPCM1.sch
Sheet Size: A	Creation Date: 11/08/2009	Drawn By: Syd H. Levine
Revision: 1.0	Modify Date: 11/11/2009	Sheet 1 of 1