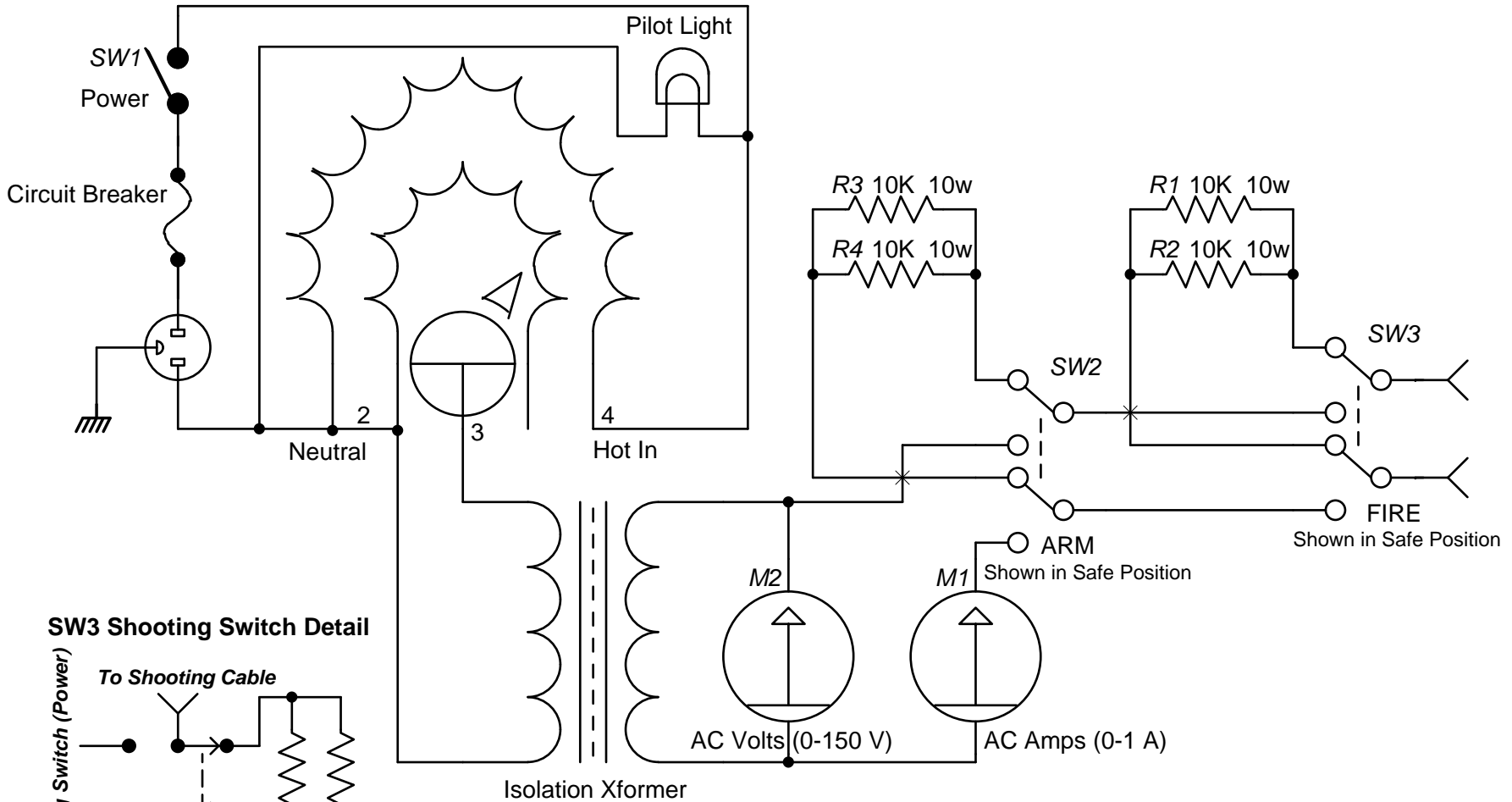


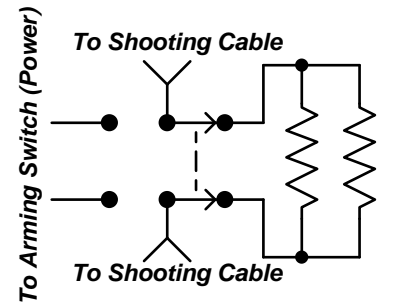
1 2 3 4 5 6 7 8

Simple AC Shooting Box

Use of or reliance on this schematic is entirely at your own risk.



SW3 Shooting Switch Detail



DPDT NCO Spring Loaded Switch
Shown in "SAFE" (Spring Compelled) Position

Copyright 2008 by AnaLog Services, Inc. All rights reserved.
Reproduction is unlawful without express written permission.

AnaLog Services, Inc.

1169 Haynesville Road - Reynolds Station, KY 42368 (270) 276-5671 Fax: (270) 276-5588

Simple AC Shooting Box		EXPSB1.sch
Sheet Size: A	Creation Date: 04/03/2008	Drawn By: Syd H. Levine
Revision: 1.0	Modify Date: 11/19/2009	Sheet 1 of 1

www.logwell.com

A
B
C
D
E
F
G
H