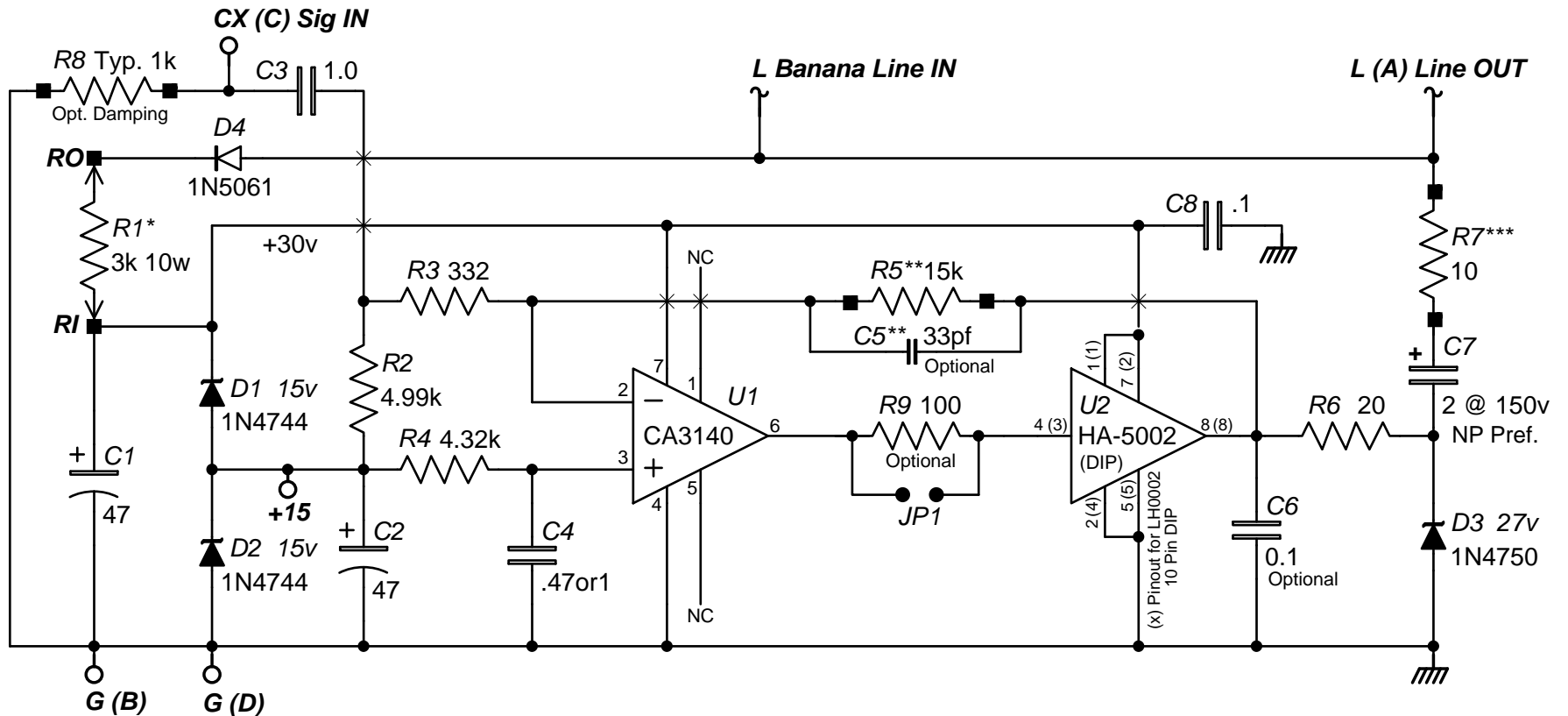


# SIE BOND RECEIVER AMPLIFIER



Copyright 2007 by AnaLog Services, Inc. All rights reserved. Reproduction is unlawful without express written permission.

## NOTES:

- \* R1 can be replaced with constant current gizmo; mounted off PCB.
- \*\* R5 selected to set gain (5-20k); C5 not required with CA3140.
- \*\*\* R7 necessary for calibrate circuit and/or gamma ray logging (10-250).

## AnaLog Services, Inc.

1169 Haynesville Road - Reynolds Station, KY 42368 (270) 276-5671 Fax: (270) 276-5588

SIE Bond Amplifier

CBLAmp1.sch

Sheet Size: A

Creation Date: 08/18/2007

Drawn By: Syd H. Levine

Revision: 1.0

Modify Date: 01/30/2010

Sheet 1 of 1