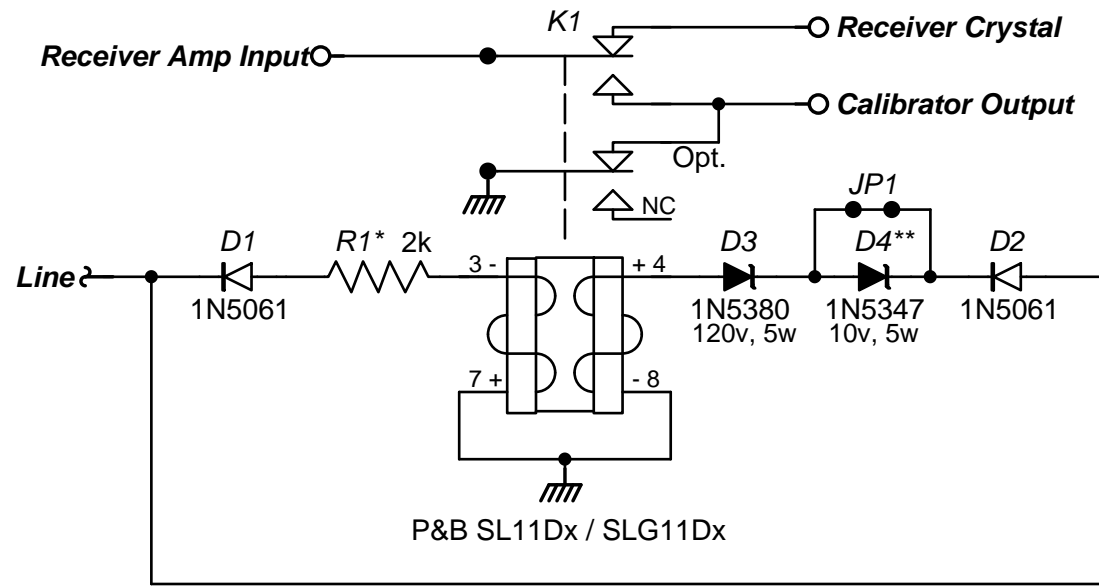


A DOWNHOLE CEMENT BOND TOOL CALIBRATOR SWITCHING RELAY CIRCUIT
Dual Coil Latching Relay Version



Copyright 2009 by AnaLog Services, Inc. All rights reserved.
Reproduction is unlawful without express written permission.

NOTES:
 Momentary over-voltage switches CBT into calibration mode.
 Momentary negative voltage switches CBT into logging mode.
 * R1 should be 3-5 watts, but 1/2 watt will survive if space demands.
 ** D4 optional to increase switching voltage (cut trace; typical shown).

AnaLog Services, Inc.

1169 Haynesville Road - Reynolds Station, KY 42368 (270) 276-5671 Fax: (270) 276-5588

Downhole CBT Cal. Switch		DHSW2.sch
Sheet Size: A	Creation Date: 03/17/2009	Drawn By: Syd H. Levine
Revision: 1.0	Modify Date: 11/16/2009	Sheet 1 of 1

B
C
D
E
F
G
H