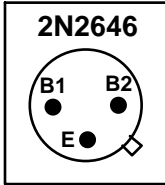
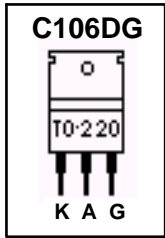
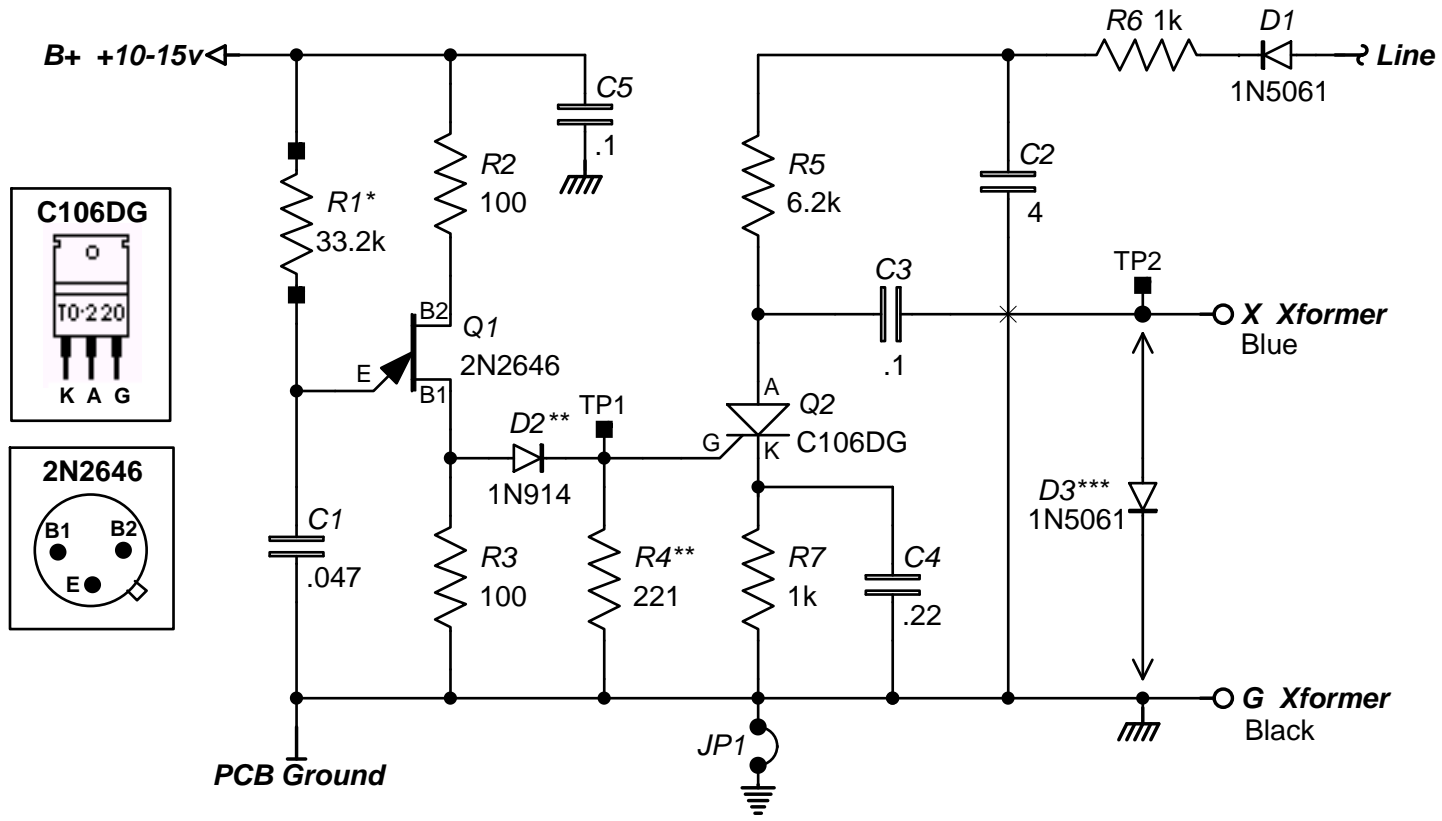


RADIATION TOOL HIGH VOLTAGE SUPPLY

Comprobe / GOI Nuvistor Tool SCR Variant



Copyright 2009 by AnaLog Services, Inc. All rights reserved. Reproduction is unlawful without express written permission.

NOTES:
 * R1 sets frequency; approximately 500 Hz as shown.
 ** D2 and R4 sometimes omitted by Comprobe.
 *** D3 optional; not used by Comprobe but present in GOI Nuvistor tools.

AnaLog Services, Inc.

1169 Haynesville Road - Reynolds Station, KY 42368 (270) 276-5671 Fax: (270) 276-5588

106 HV Power Supply		106HVPS6.sch
Sheet Size: A	Creation Date: 07/29/2009	Drawn By: Syd H. Levine
Revision: 1.0	Modify Date: 02/10/2010	Sheet 1 of 1