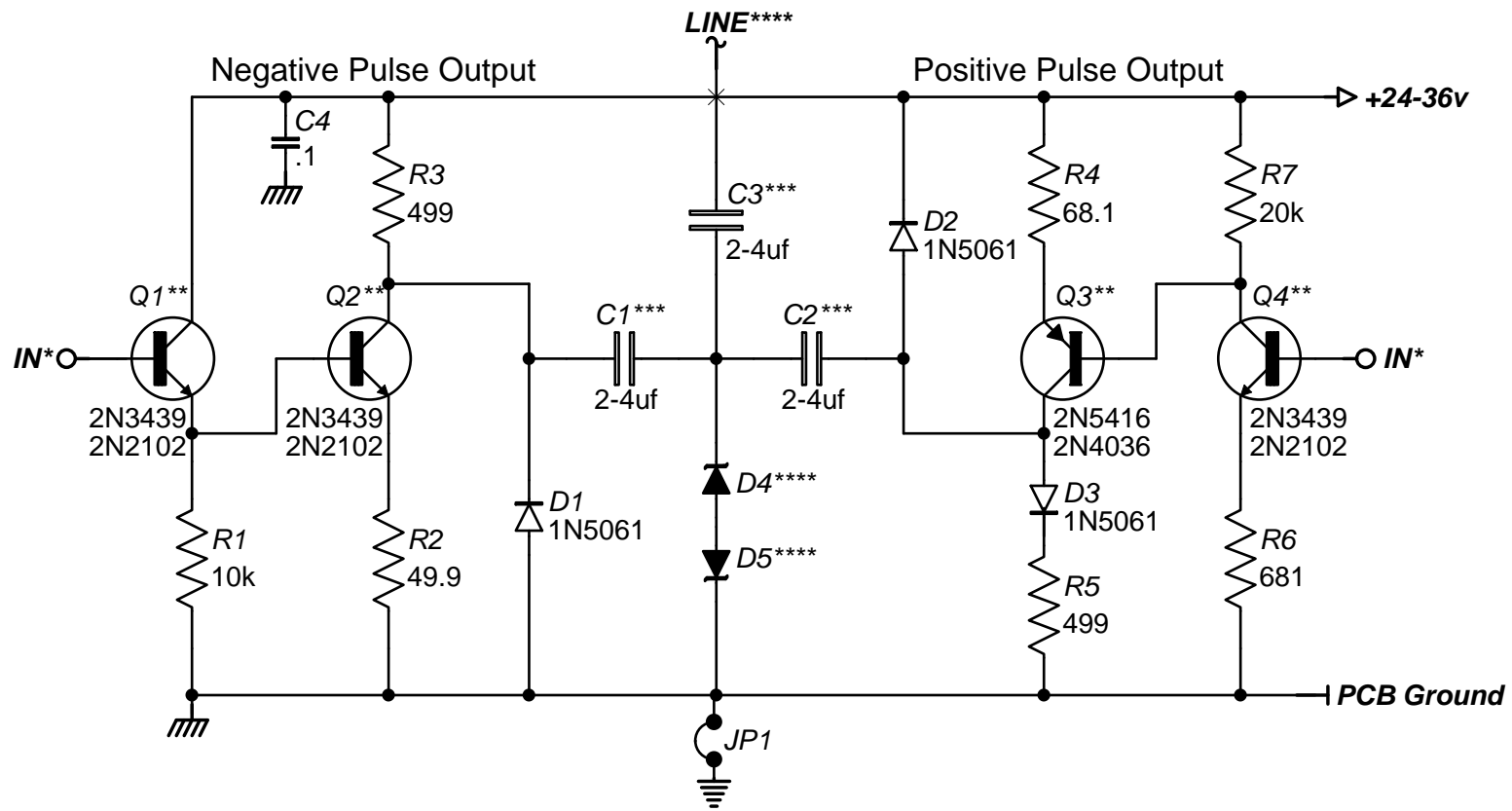


106 RADIATION TOOL LINE DRIVER

Dual Channel / Single Channel GO COSMOS Discrete Component Style



Copyright 2009 by AnaLog Services, Inc. All rights reserved. Reproduction is unlawful without express written permission.

NOTES:
 * Input pulses to both halves positive; series resistor may be needed.
 ** 2N3439 and 2N5416 are higher voltage "bullet proof" devices.
 *** C1, C2, and C3 should be rated at higher than line voltage.
 **** Use 50 ohm load resistor, or zener diodes to control pulse height.

www.logwell.com

PCB: 106LD-6

AnaLog Services, Inc.		
1169 Haynesville Road - Reynolds Station, KY 42368 (270) 276-5671 Fax: (270) 276-5588		
106 Line Driver		106LD6b.sch
Sheet Size: A	Creation Date: 09/13/2009	Drawn By: Syd H. Levine
Revision: 1.0	Modify Date: 11/15/2009	Sheet 1 of 1