

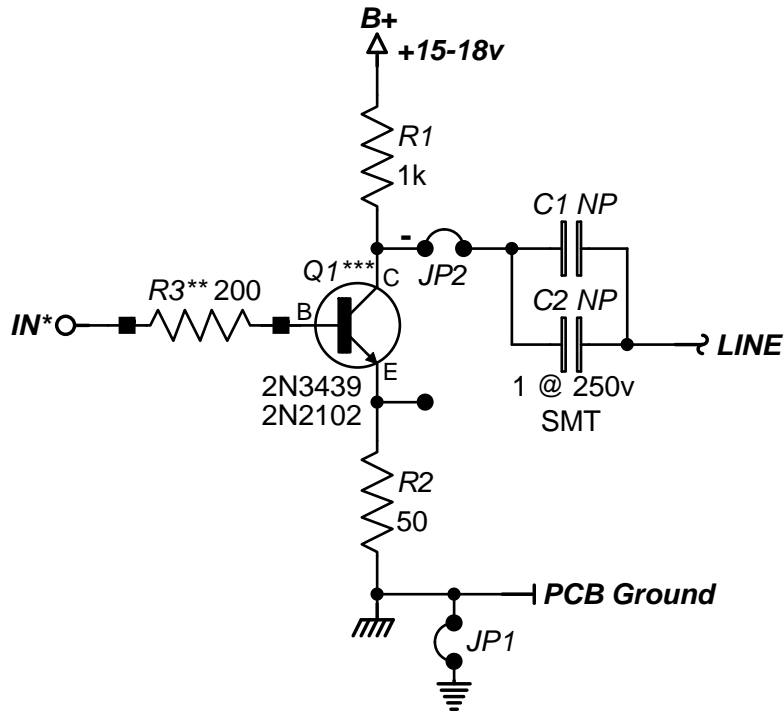
A

106 RADIATION TOOL LINE DRIVER

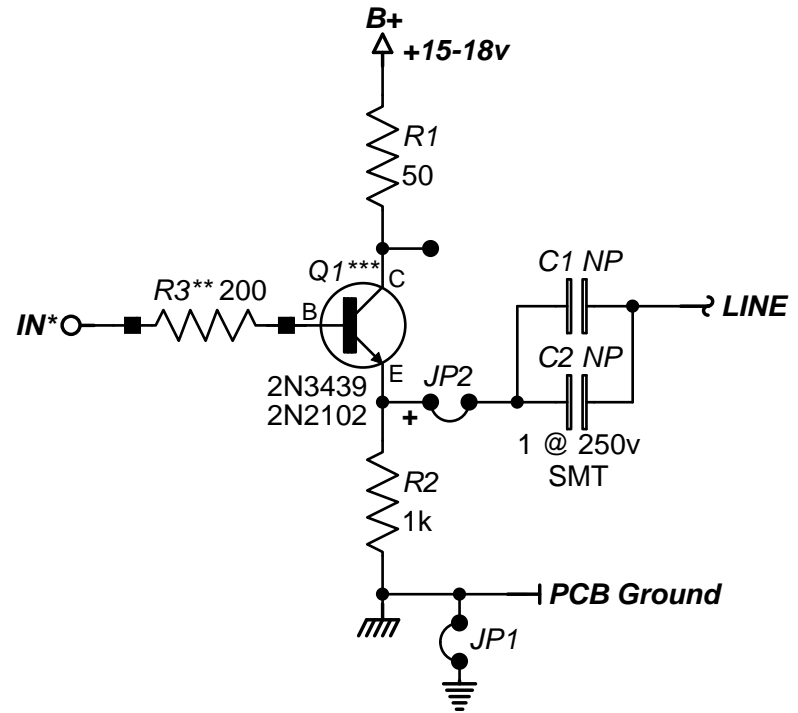
Single Channel Single Transistor Tek-Co Discrete Component Style

B

Negative Pulse Output



Positive Pulse Output



E

F

G

Copyright 2009 by AnaLog Services, Inc. All rights reserved. Reproduction is unlawful without express written permission.

NOTES:

- * Input pulses positive regardless of output polarity.
- ** Select R3 for pulse height; value shown typical.
- *** The 2N3439 is a higher voltage "bullet proof" device.

AnaLog Services, Inc.

1169 Haynesville Road - Reynolds Station, KY 42368 (270) 276-5671 Fax: (270) 276-5588

106 Line Driver

106LD7.sch

Sheet Size: A

Creation Date: 11/28/2009

Drawn By: Syd H. Levine

Revision: 1.0

Modify Date: 02/11/2010

Sheet 1 of 1

H