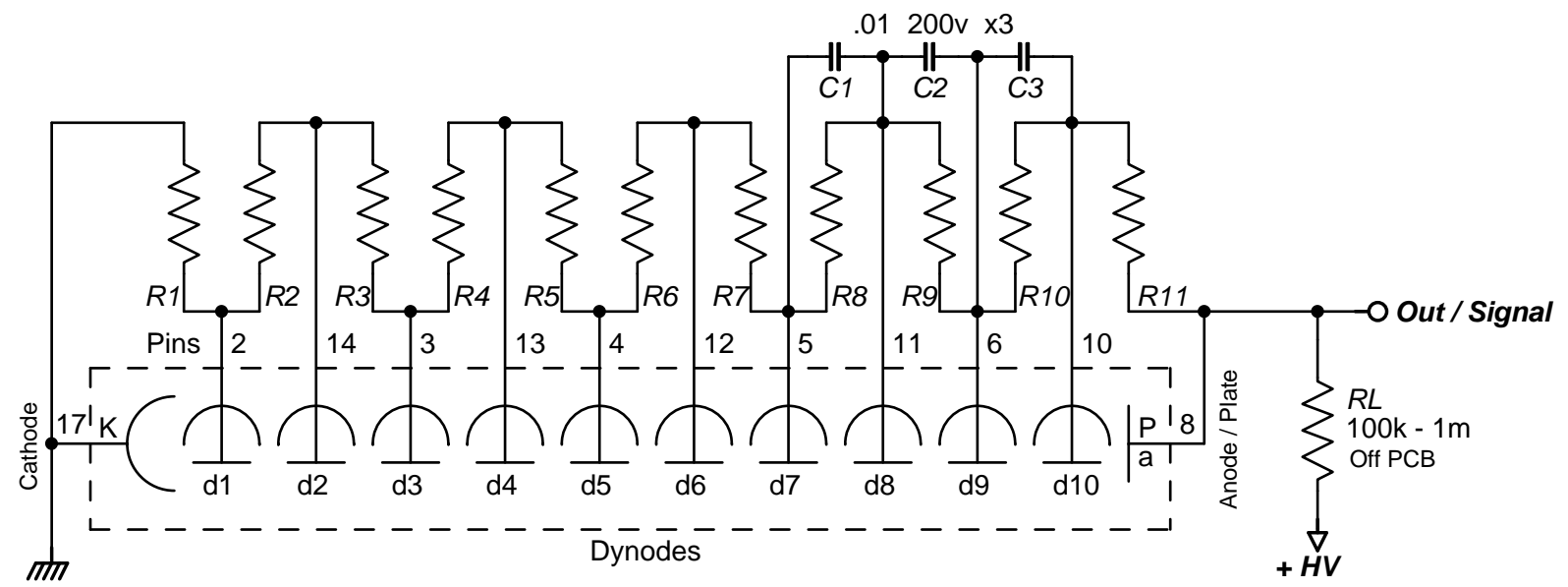


1 2 3 4 5 6 7 8

**106 RADIATION TOOL PMT VOLTAGE DIVIDER (1" Flying Lead Tubes - 2 Wire)**



Copyright 2008 by AnaLog Services, Inc. All rights reserved. Reproduction is unlawful without express written permission.

**NOTES:**  
 For one inch flying lead photomultipliers:  
 R1288, C31016, 9110FL, etc.  
 Resistors 6.8 megohm except as noted.  
 Omit C4 on PMT-4 PCB.

**AnaLog Services, Inc.**

1169 Haynesville Road - Reynolds Station, KY 42368 (270) 276-5671 Fax: (270) 276-5588

<b>106 PMT Divider</b>		<b>106PMT4.sch</b>
Sheet Size: A	Creation Date: 07/01/2008	Drawn By: Syd H. Levine
Revision: 1.0	Modify Date: 05/11/2010	Sheet 1 of 1

[www.logwell.com](http://www.logwell.com)

PCB: 106PMT-4b