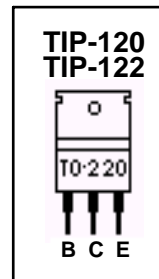
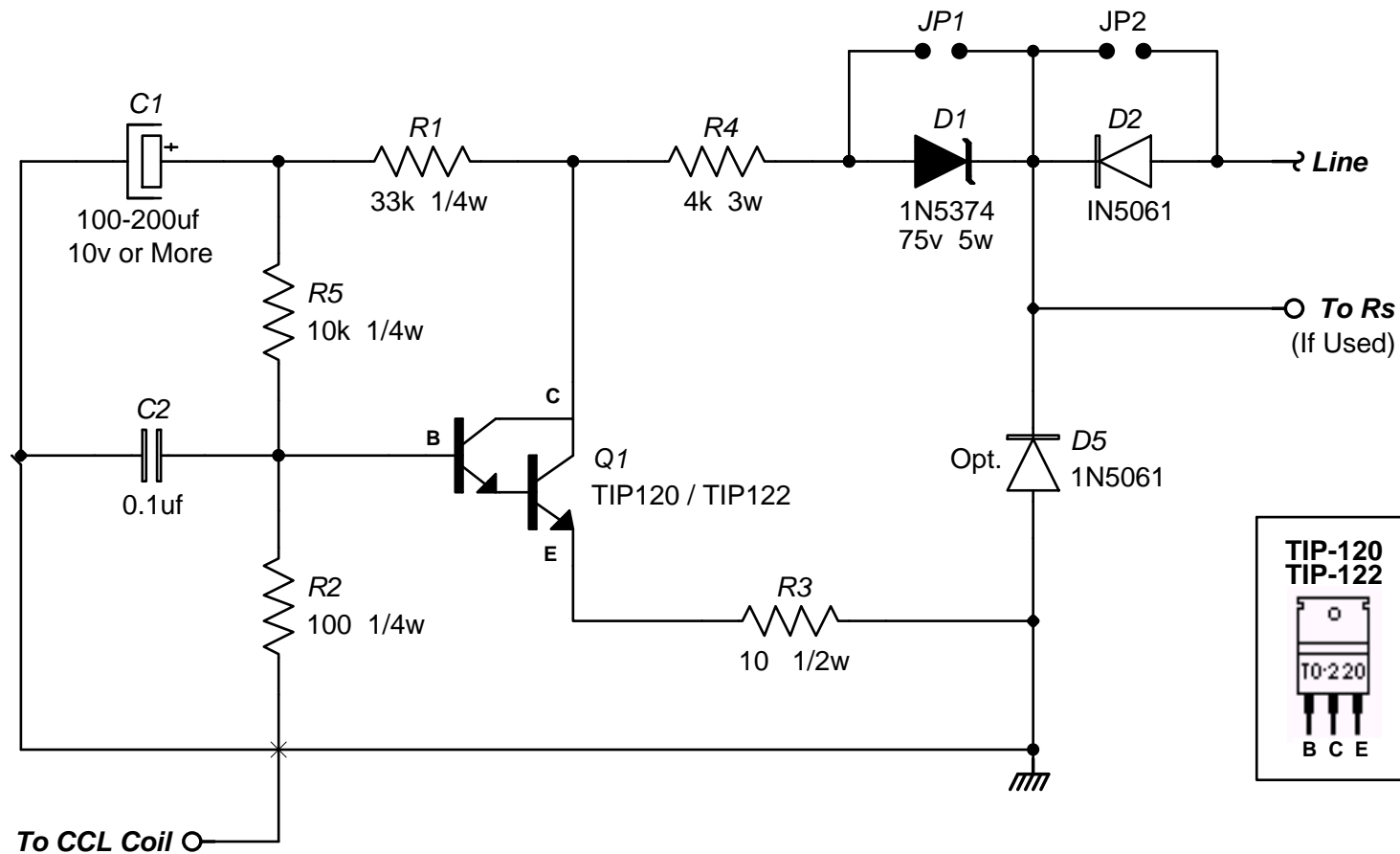


TIP-120 STYLE DOWNHOLE CCL AMPLIFIER



Copyright 1999 by AnaLog Services, Inc. All rights reserved.
 Reproduction is unlawful without express written permission.

NOTES:
 For 30-50 volt operation, omit D1 and install jumper.
 See PCB Application Notes for CCL-2a / PS-2a for details.

AnaLog Services, Inc.		
1169 Haynesville Road - Reynolds Station, KY 42368 (270) 276-5671 Fax: (270) 276-5588		
TIP-120 Downhole CCL Amplifier GO COSMOS CCL Upgrade		GOCCL-2a.sch
Sheet Size: A	Creation Date: 03/02/1999	Drawn By: Syd H. Levine
Revision: 1.0	Modify Date: 11/12/2009	Sheet 1 of 1