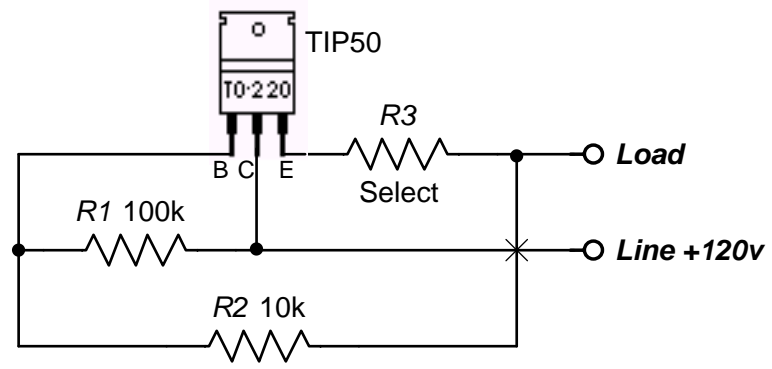
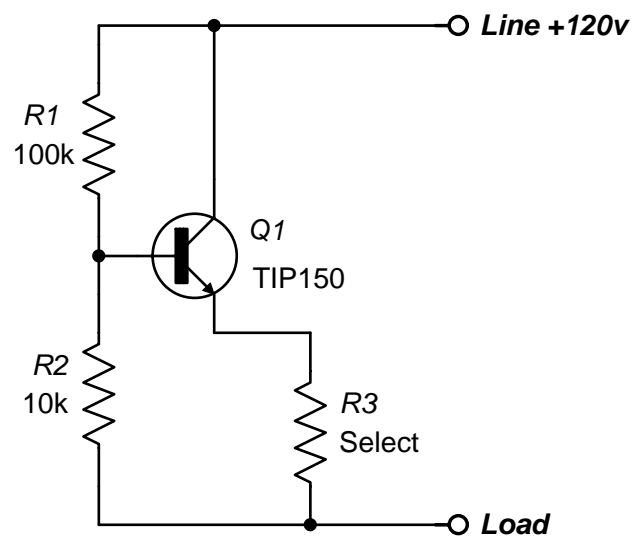


# DOWNHOLE CONSTANT CURRENT CIRCUIT

## SIE Cement Bond Tool Receiver Series Resistor Replacement



Copyright 2007 by AnaLog Services, Inc. All rights reserved.  
 Reproduction is unlawful without express written permission.

**NOTES:**  
 Select R3 emitter resistor in the range of 200 to 560 ohms.  
 Play with the value of R2 to make major current changes.  
 All resistors 1/2 watt.

<b>AnaLog Services, Inc.</b>		
1169 Haynesville Road - Reynolds Station, KY 42368 (270) 276-5671 Fax: (270) 276-5588		
Constant Current Circuit		DHCCb.sch
Sheet Size: A	Creation Date: 08/05/2007	Drawn By: Syd H. Levine
Revision: 1.0	Modify Date: 08/13/2007	Sheet 1 of 1