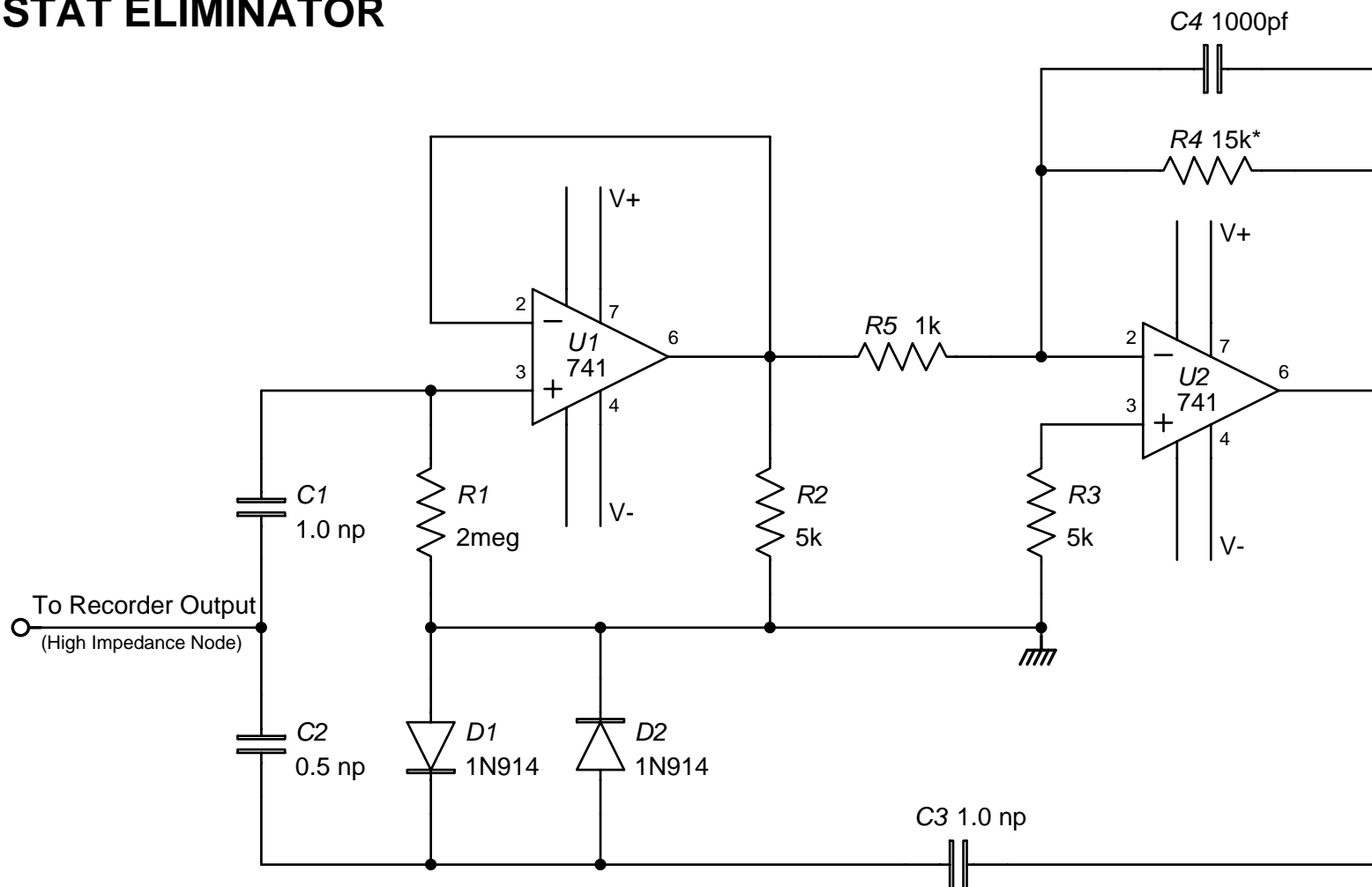


SIE STAT ELIMINATOR



Copyright 2001 by AnaLog Services, Inc. All rights reserved.
 Reproduction is unlawful without express written permission.

NOTES:

*R4 was originally 33K, but 15k is better for most ratemeters.
 For U1, the LM310 performs better than the 741.
 A 1.0 mfd capacitor to ground may be necessary at the output
 to prevent oscillation in rare cases.

AnaLog Services, Inc.

1169 Haynesville Road - Reynolds Station, KY 42368 (270) 276-5671 Fax: (270) 276-5588

SIE Stat Eliminator

SESEa.sch

Sheet Size: A

Creation Date: 05/04/2001

Drawn By: Syd H. Levine

Revision: 1.0

Modify Date: 08/02/2007

Sheet 1 of 1