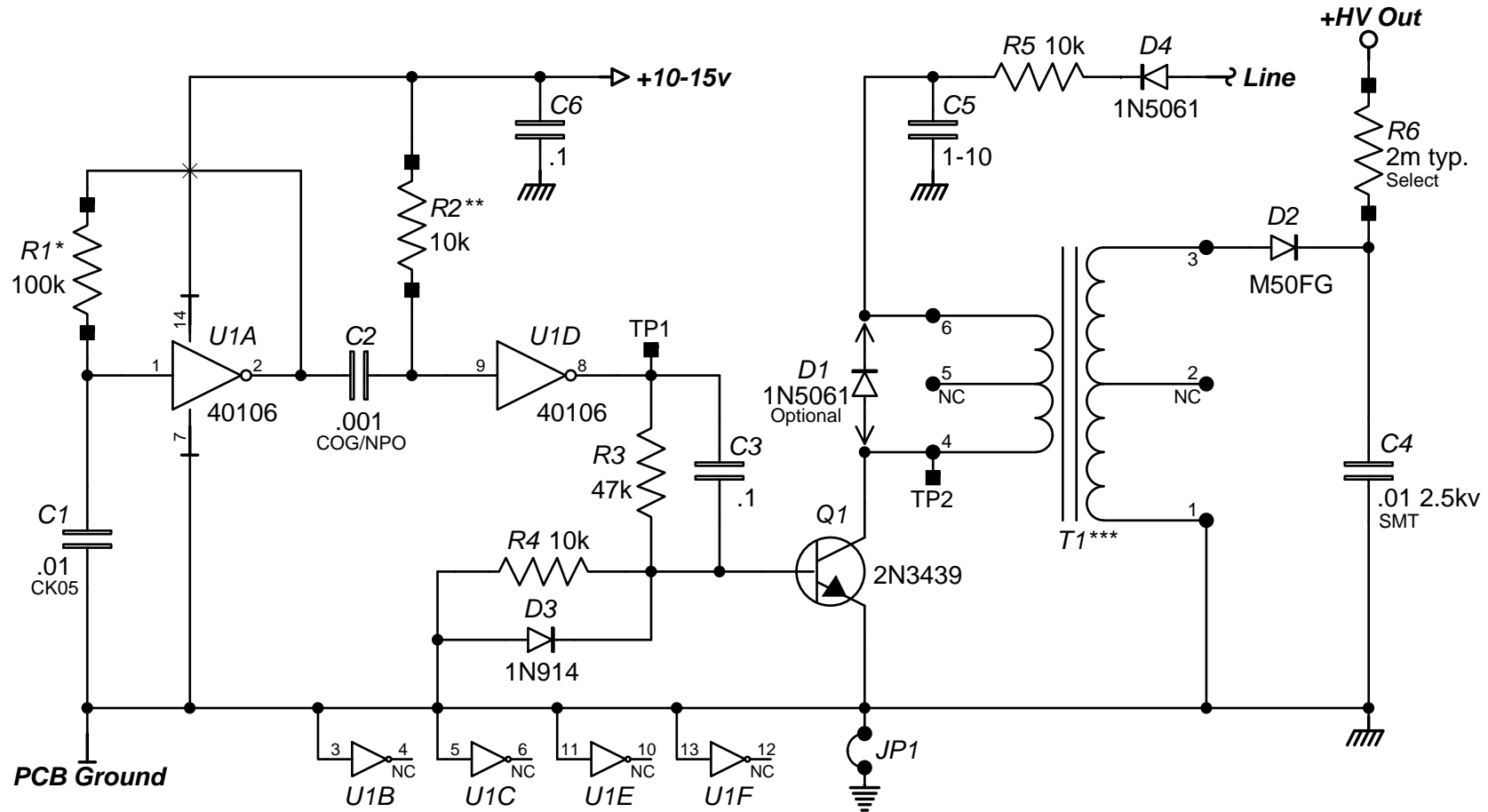


# 106 RADIATION TOOL HIGH VOLTAGE SUPPLY

Taylor Brothers Variant / Codatron HV Regulator Supply



Copyright 2008 by AnaLog Services, Inc. All rights reserved.  
Reproduction is unlawful without express written permission.

## NOTES:

- \* R1 sets frequency; approximately 1 kHz as shown.
- \*\* R2 sets pulse width; approximately 10 useconds as shown.
- \*\*\* Use Triad SP-4, Tamura MET-01, UTC/OPT DO-T24 or DO-T7, etc.
- \*\*\* Primary (4 to 6) 100 - 130 ohms; Secondary (1 to 3) 5 - 5.5 kohms.

## AnaLog Services, Inc.

1169 Haynesville Road - Reynolds Station, KY 42368 (270) 276-5671 Fax: (270) 276-5588

106 HV Power Supply

106HVPS5c.sch

Sheet Size: A

Creation Date: 03/10/2008

Drawn By: Syd H. Levine

Revision: 1.0

Modify Date: 11/14/2009

Sheet 1 of 1